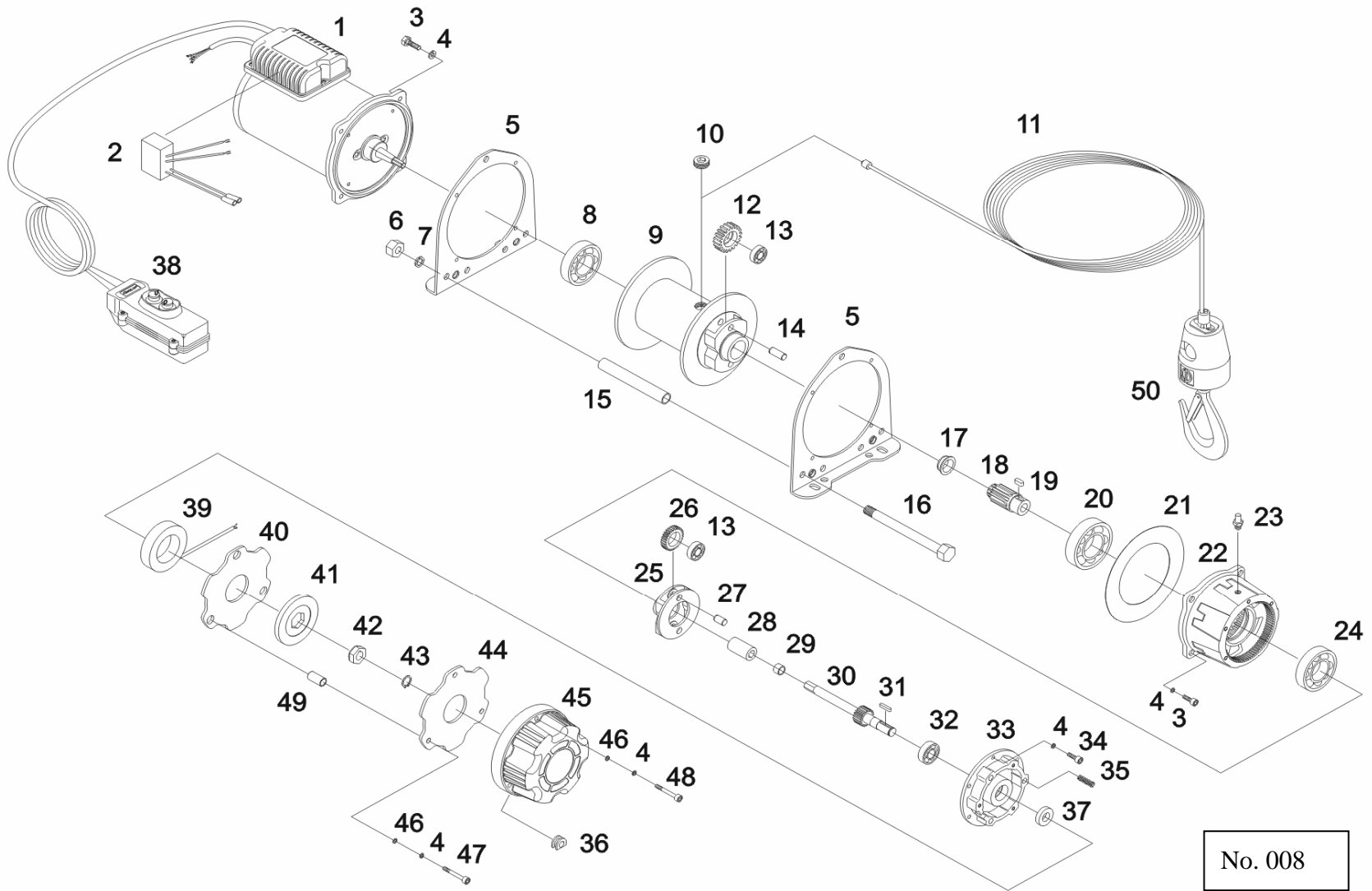
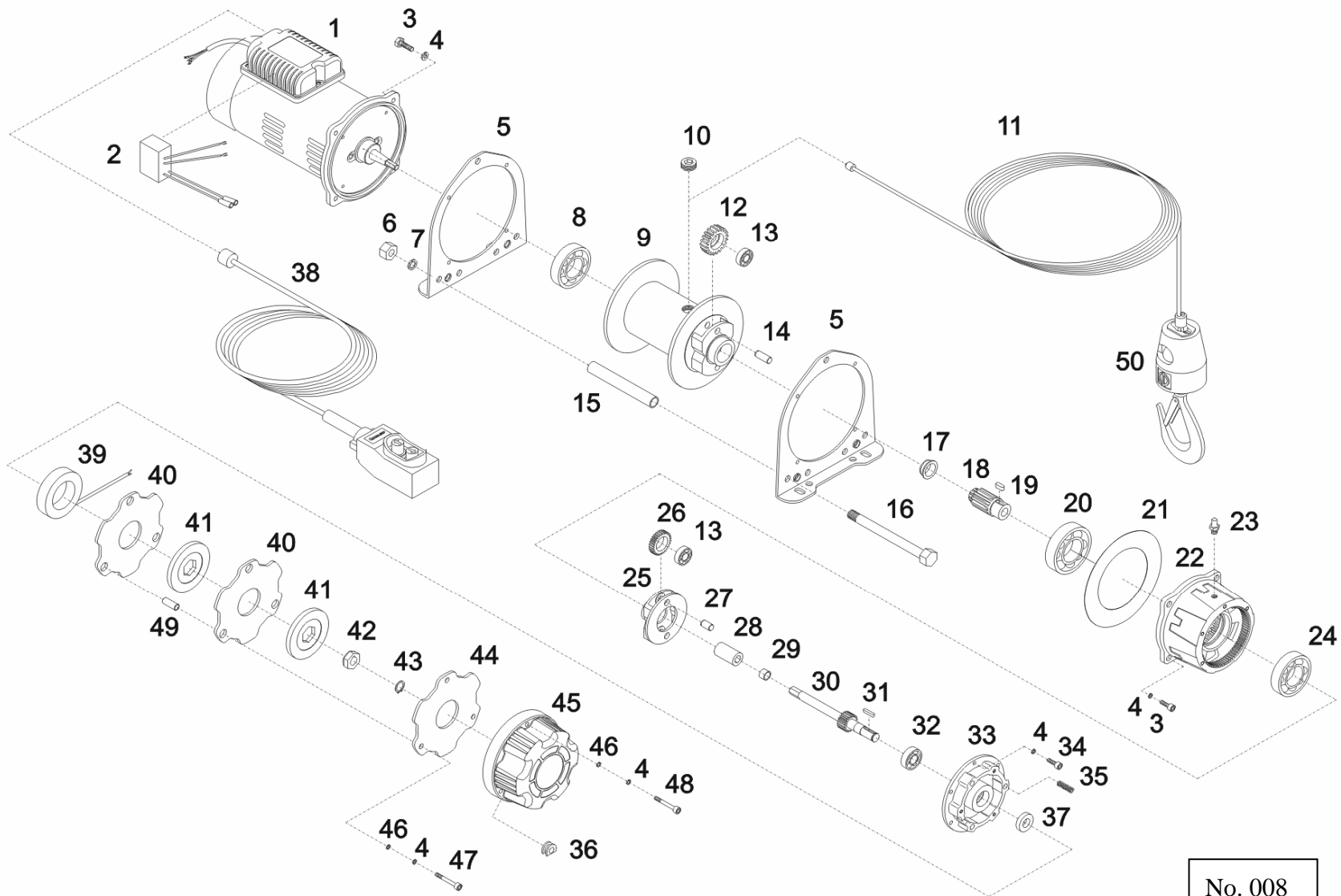


CP-200



No. 008

CP-250/300



No. 008